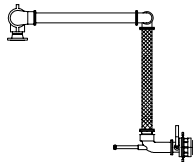
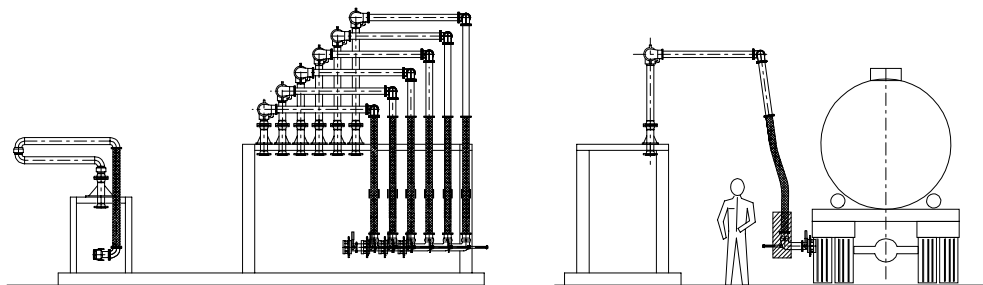
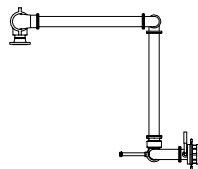


## Chiksan® Bottom API RP 1004 Loading Arms - Short Reach

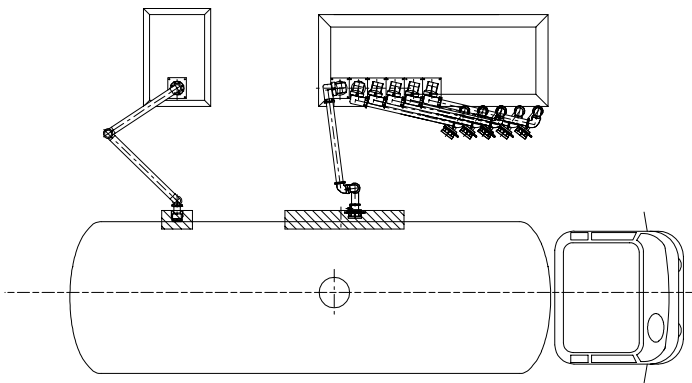
Model 543



Model 545



Model 543



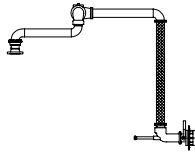
Multiple connections station for side loading or unloading petroleum products of road tankers. Simple and cost-effective design, meeting API envelope requirements, including crossover.

Mounted with one vapor return arm on a support metering skid.

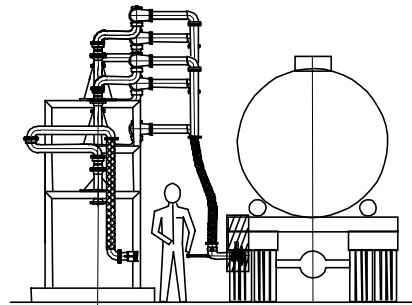
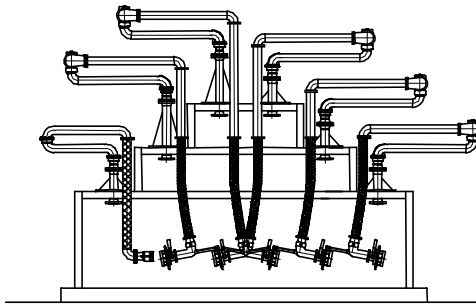
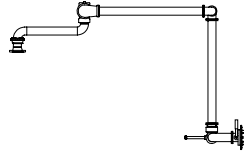
Model 543 with flexible hose allows crossover for up to 6 arms. Fully-rigid model 545 guarantees enhanced safety of operations, will not burst, with cross-over of up to 6 arms.

## Chiksan® Bottom API RP 1004 Loading Arms - Long Reach

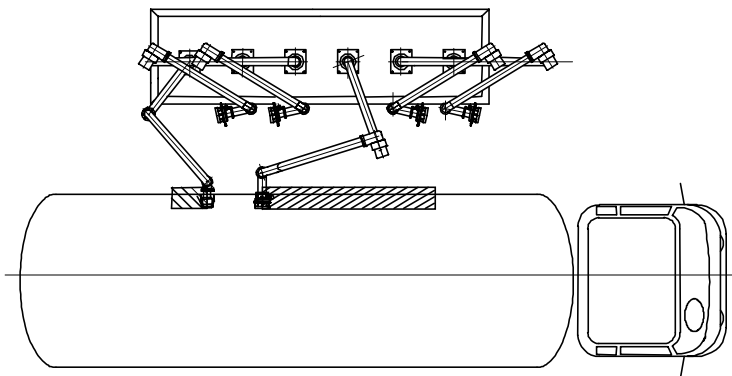
Model 373



Model 3745



Model 373



Multiple connections station for side loading or unloading petroleum products of road tankers. Long reach design meeting extended API working envelope requirements, including easy crossover (up to 6 arms) with inboard and outboard arm.

Mounted with one vapor return arm on a support metering skid.

Fully rigid model 3745 guarantees enhanced safety of operations, will not burst, with cross-over of up to 6 arms.