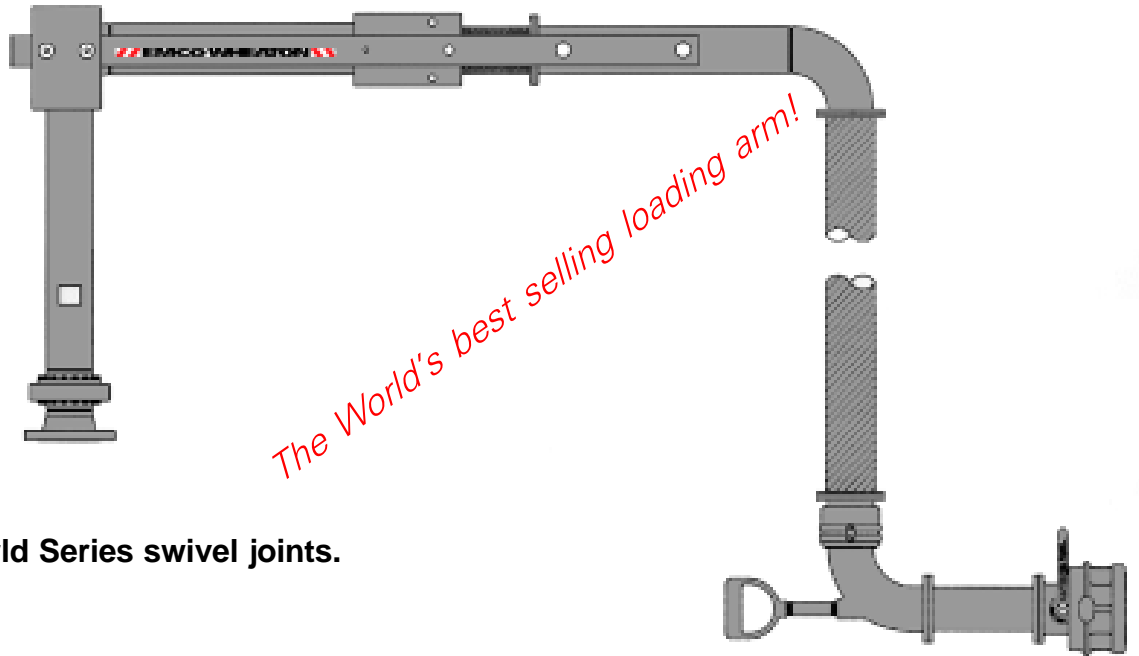


E2573 BOTTOM HOSE LOADING ARM WITH COUNTERWEIGHT BALANCE



on D2000 World Series swivel joints.

- Designed specifically for truck bottom loading petroleum terminal use.
- 4" Carbon steel design with 150# inlet flange.
- 4" TTMA hose connections.
- Counterweight balancing for ease of handling and close center mounting to the API envelope.
- D2000 World Series swivel joints with 5 year maintenance free limited warranty.
- Recommended when crossover of three or more products is required.
- Unique sliding scale weight allows arm to balance in the horizontal position.
- Design allows for easy adjustment, greater coupling efficiency, and reduced installation time.
- Complete package of arm, hose, hose cover, outboard swivel joint spacer spool, and API coupler available.
Just ask for a complete kit quote.



Introducing the new K2 series API coupler, snap on/off action, with or without patented return pump or use the world's most popular API coupler, the J451.

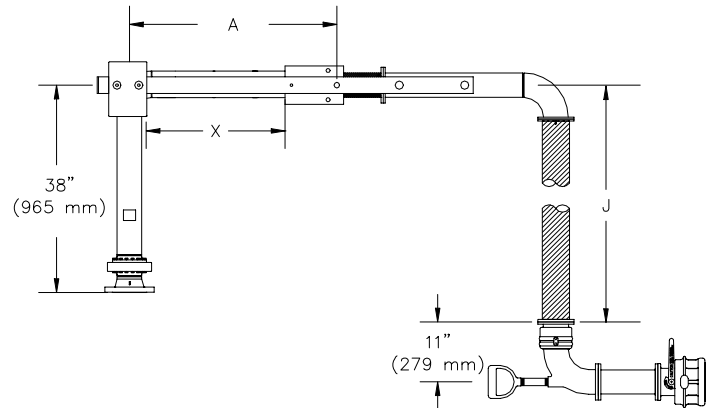
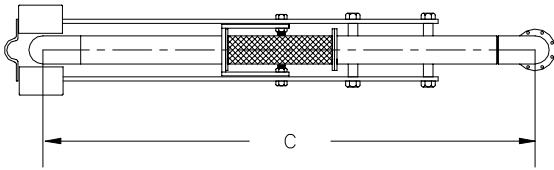
EMICO WHEATON™

A SYLTONE COMPANY



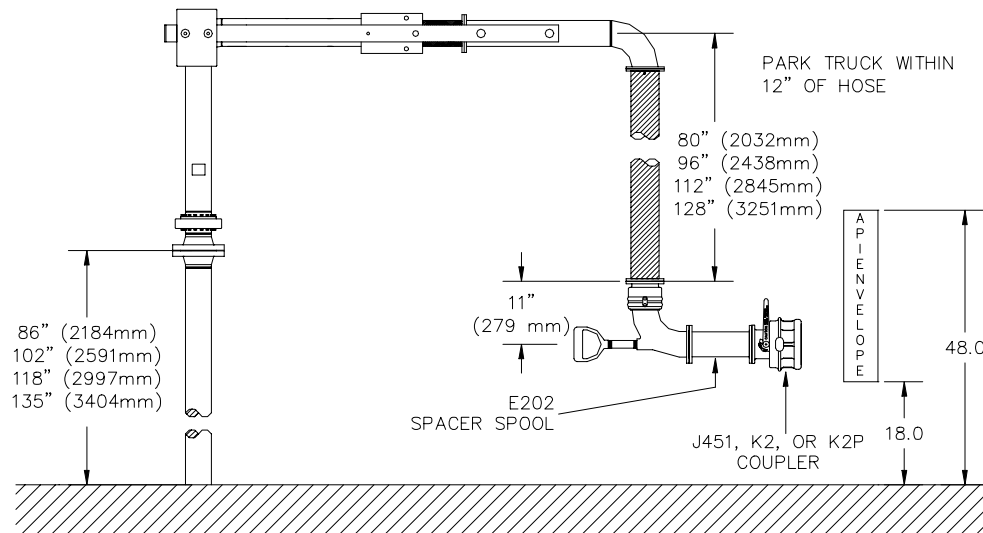
2501 Constant Comment Place
Louisville, KY 40299-USA
Tel: (800) 285-3626
Int'l: +1 (502) 266-8767
Fax: +1 (502) 266-5873
email: sales@syltone.com
Web: www.emcowheaton.com

E2573 BOTTOM HOSE LOADING ARM WITH COUNTERWEIGHT BALANCE



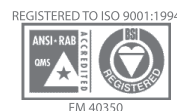
- Standard 114" (2896 mm) reach covers the API RP-1004 envelope with up to 4 loaders on 18" (457 mm) centers.
- Reaches of 78", 90" and 102" (1981 mm, 2286 mm and 2591 mm) are available if required, but full coverage of the API envelope may require moving the vehicle.
- Each successive loader should be 16" (406 mm) higher to allow for complete crossover.
- Standard J dimensions are 80", 96", 112" and 128" (2032 mm, 2438 mm, 2844 mm and 3251 mm).
- Loading arms must be in horizontal position during crossover movement
- Arms can be sold separately or as a complete package with hose, hose cover, outboard swivel, spacer spool, and API coupler.

"J" Dimension (mm)	Horizontal Reach "A" (mm)	Weight Adjustment "C" (mm)	Range "X" (mm)
80" (2032)	38" (965)	78" (1981)	24.2" (615)
96" (2438)	45" (1143)	90" (2286)	31.2" (793)
112" (2845)	45" (1143)	102" (2591)	31.2" (793)
128" (3251)	57" (1448)	114" (2896)	43.2" (1697)



EMICO WHEATON™

A SYLTONE COMPANY



2501 Constant Comment Place
Louisville, KY 40299-USA
Tel: (800) 285-3626
Int'l: +1 (502) 266-8767
Fax: +1 (502) 266-5873
email: sales@syltone.com
Web: www.emcowheaton.com