

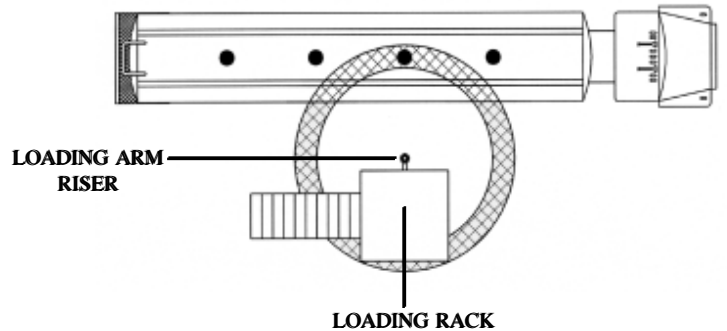
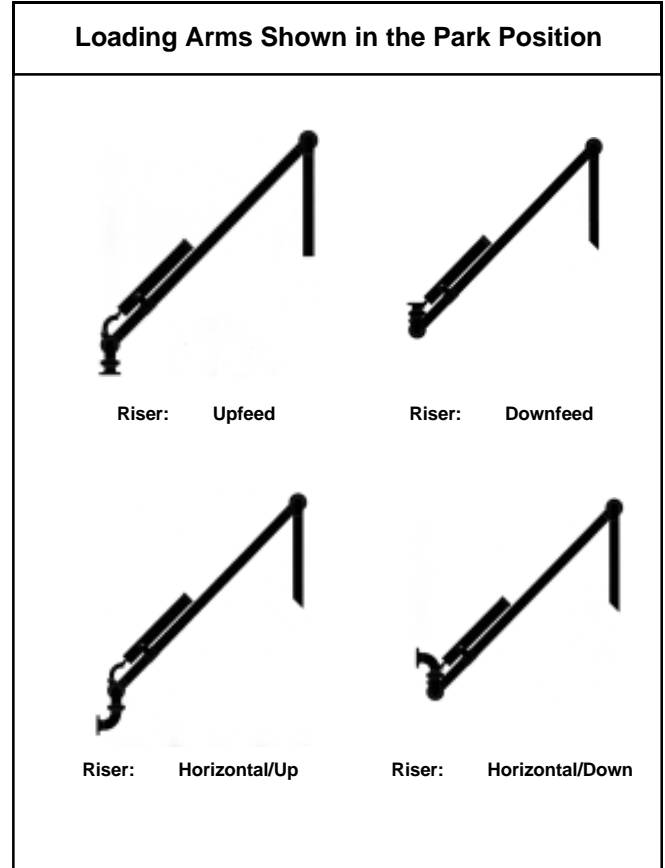
E2110 FIXED REACH TOP LOADING ARM



on D2000 World Series swivel joints.

- Fixed Reach loaders are designed specifically for single compartment trucks and railcars that can be accurately spotted. See spotting map at right.
- Easy to adjust, super smooth action spring cylinder balance, and heavy duty capacity swivel joints enable these arms to reach further without the need for additional support.
- Standard arms feature the D2000 World Series swivel joint. A heavy duty, low profile joint with a 5-year maintenance free limited warranty. A variety of seal configurations and elastomers ensure long life performance for each specific application.
- Standard vertical range of movement for the arm is +55deg (park position) to -20deg (loading position). A World Series spring cylinder can provide up to 95deg of full movement if required.
- Pipe sizes: 2" through 12"
- Materials of liquid path: Carbon steel, carbon steel/aluminum, 316L stainless steel.
- Also available in a variety of exotic materials to best handle the widest range of products, from Acids to fruit juice. Contact Emco Wheaton with your specific needs.

RISER CONNECTION OPTIONS

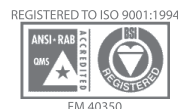


TYPICAL REACH POTENTIAL

	2"	3"	4"	6"
E2110	9'+	12'+	12'+	12'+

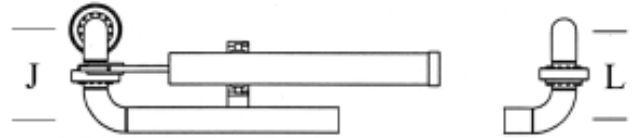
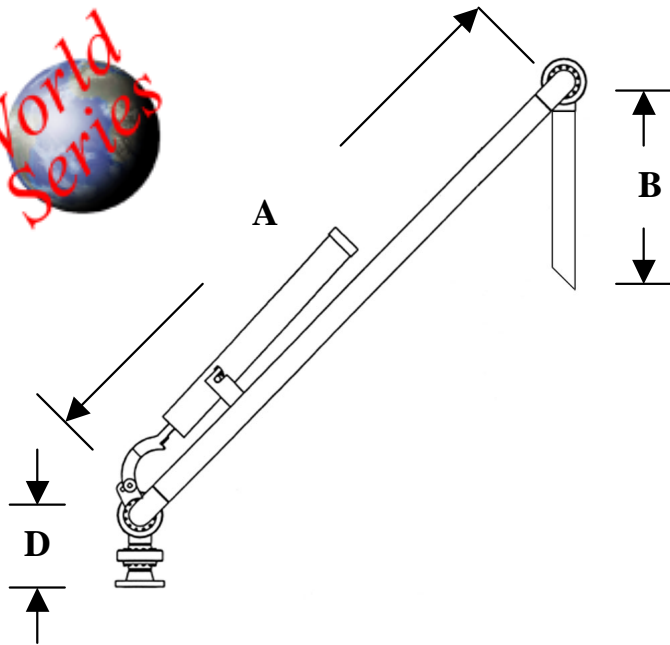


A SYLTONE COMPANY



2501 Constant Comment Place
 Louisville, KY 40299-USA
 Tel: (800) 285-3626
 Int'l: +1 (502) 266-8767
 Fax: +1 (502) 266-5873
 email: sales@syltone.com
 Web: www.emcowheaton.com

E2110 FIXED REACH TOP LOADING ARM



	"D"	"J"	"L"
2"	9.99"	10.11"	10.11"
3"	11.86"	13.11"	13.11"
4"	14.11"	16.11"	16.11"
6"	--	--	--

Line Size:
 2" 3" 4" 6" Other Please Specify _____

Riser Connection:
 Upfeed Downfeed Horizontal (Up or Down)

Base Swivel:
 Right Hand/Upfeed Right Hand/Downfeed
 Left Hand/Upfeed Left Hand/Downfeed

Swivel Joint:
 D2000 Other Please Specify: _____

Arm Material (Wetted Parts):
 Carbon Steel Stainless Steel
 Carbon Steel/Aluminum Stainless/Aluminum

Swivel Joint Seal Material:
 Buna Viton PTFE Other Please Specify: _____

Balance Mechanism:
 Spring Cylinder Torsion Spring
 Counterweights Hydraulic Cylinder

Dimensions:
 A B

Customer Added Weight:
 (Specify type and weight) _____

Accessories/Options:

<input type="checkbox"/> Loading Valve	<input type="checkbox"/> Base	<input type="checkbox"/> Middle	<input type="checkbox"/> Apex
<input type="checkbox"/> Ball Valve	<input type="checkbox"/> Base	<input type="checkbox"/> Middle	<input type="checkbox"/> Apex
<input type="checkbox"/> Vacuum Breaker	<input type="checkbox"/> Remote Control		
<input type="checkbox"/> Lockdown	<input type="checkbox"/> Flow Deflectors		
<input type="checkbox"/> Steam Jacketing	<input type="checkbox"/> Vapor Recovery		
<input type="checkbox"/> High Level Shut-Off	<input type="checkbox"/> Drip Bucket		
<input type="checkbox"/> Pneumatic Assist	<input type="checkbox"/> Posi-Stops		
<input type="checkbox"/> Parallel Device			

Application Information:

End User: _____
 Product in Arm: _____
 Temperature (min/max): _____
 Flowrate (GPM): _____
 Qty of Arms: _____
 Your Name: _____
 Company: _____
 Phone Number: _____
 Fax Number: _____



A SYLTONE COMPANY

2501 Constant Comment Place
 Louisville, KY 40299-USA
 Tel: (800) 285-3626
 Int'l: +1 (502) 266-8767
 Fax: +1 (502) 266-5873
 email: sales@syltone.com
 Web: www.emcowheaton.com

